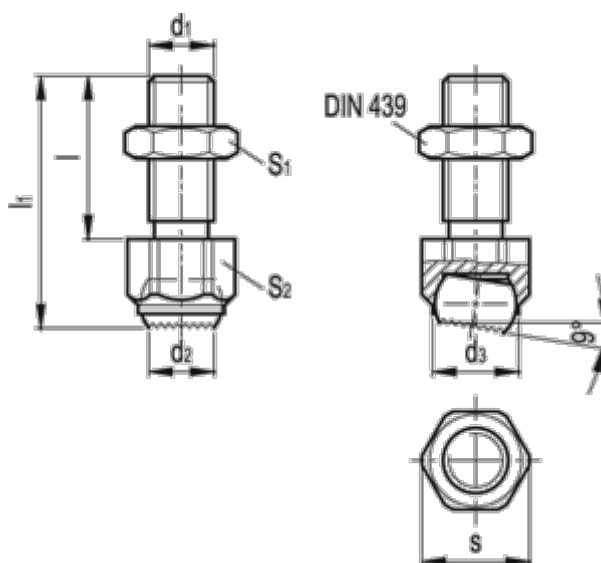


Article number: 20256428A

Description: E+G Clamping pad
GN 709.3-24-M16-R

Measures



d1	= M16	S2	= 24
d2	= 10.5	Weight (g)	= 115
d3	= 16.0		
l	= 40		
l1	= 60.7		
Max static load (KN)	= 25		
s	= 27		
S1	= 24		